

INDUSTRY 4.0

MODERN DESIGN

HIGH EFFICIENCY

PRECISE DOSING



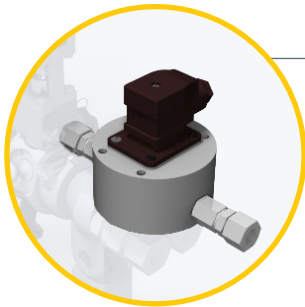
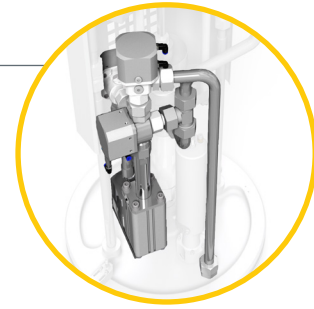
Dimensions	Length	Width	Height
Basic machine	1.150 mm	1.200 mm	1.970 mm
In extended state	1.150 mm	1.200 mm	2.720 mm
Mixing ratio according to volume	1:1		
Dyn. operating pressure (max.)	200 bar		
Operating voltage*	3Ph. 400-460 VAC + N + PE		
Frequency	50-60 Hz		
Power rating (total)	4,5 kVA		
Air pressure (min.)	6 bar		
Pneumatic connector	G1/2 internal thread		
Compressed air consumption (max.)	500 l/min		
Weight	approx. 695 kg		

*further network types on request

LSR eTwin Connect

airTract

- Patented pump deaeration
- Up to 95% material savings in deaeration process
- Cost saving
- Air free material flow
- Applicable for LSR materials up to 60 Shore

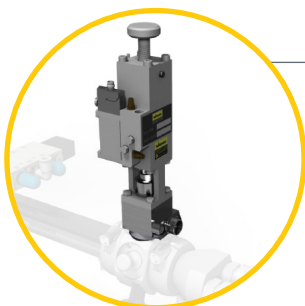


addControl

- Dosing volume control
- Direct volume measurement
- Continuous additive regulation
- Communication between additive measuring cell and control
- High quality
- Highest dosing accuracy and reproducibility
- Additive savings possible
- One addControl per additive provided
- Combinable with addPulse
- Additives with a high proportion of fillers can cause the measuring cell to block. In this case, the use of addPressure is recommended.

BARREL CHANGING SYSTEM

- Flexible
- For drawer loading only 40 cm distance to wall required
- Optimal for changing drums by crane. The use of a drum lifter is also possible.



ADDITIVE DOSING VALVES

- Optional up to 4 additives possible
- Long-lasting
- Compact design

Visit our website to get more information: <https://www.reinhardt-technik.com/products/lsr-etwin-connect/>